

IP66 IR Color Outdoor Camera

F-922A-IR, F-922HA-IR



Features

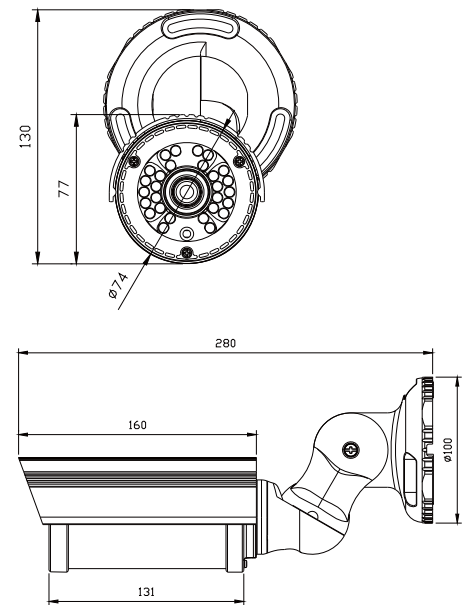
- 1/3" Sony SuperHAD CCD
- Hi-Res. max. 480TVL
- 28pcs IR LED, IR Distance 20~25M
- 6mm lens standard(8mm option)
- Two Axis mounting bracket, fully hidden cable routing.
- Double glass designed to prevent the refraction and diffusion of IR light..
- IP 66 Waterproof, outdoor/ indoor application.

Specifications

	F-922A-IR		F-922HA-IR	
	NTSC	PAL	NTSC	PAL
VIDEO SYSTEM	NTSC	PAL	NTSC	PAL
PICK UP ELEMENT	1/3 INCH CCD IMAGE SENSOR (INTER LINE)			
IMAGE SIGNAL PROCESS	DIGITAL SIGNAL PROCESSING SYSTEM			
LENS MOUNT	6.0 mm Lens (Standard)			
NUMBER OF PIXEL	500 (H) * 492 (V)	500 (H) * 582 (V)	768 (H) * 494 (V)	752 (H) * 582 (V)
PICTURE ELEMENTS	APPROXIMATELY 250K	APPROXIMATELY 290K	APPROXIMATELY 380K	APPROXIMATELY 440K
HORIZONTAL RESOLUTION	Max. 420 TV Lines		Max. 480 TV Lines	
POWER SUPPLY	AC100~240V			
POWER CONSUMPTION	7.2W (at AC 110V)			
SYNCHRONIZATION	INTERNAL			
SCANNING SYSTEM	2 : 1 INTERLACE			
SENSITIVITY	0 LUX (IR ON)			
S/N RATIO	Max. 48 dB			
AUTO GAIN CONTROL	YES			
BACK LIGHT COMPENSATION	OFF			
WHITE BALANCE	AUTO			
ELECTRONIC SHUTTER	NTSC: OFF: 1/60 S ; AUTO: 1/60 S TO 1/10000 S PAL: OFF: 1/50 S ; AUTO: 1/50 S TO 1/10000 S			
OUTPUT	1 Vp-p COMPOSITE VIDEO OUTPUT, 75 OHMS			
IR RANGE	20 M			
WAVELENGTH	850 nm			
OPERATING TEMPERATURE	-5°C ~ +65°C			
DIMENSIONS (W x D x H)	Φ74 x 130 x 280 mm			
WEIGHT	About 0.65Kg			

Dimensions

UNT:mm



specifications and appearance are subject to change without notice